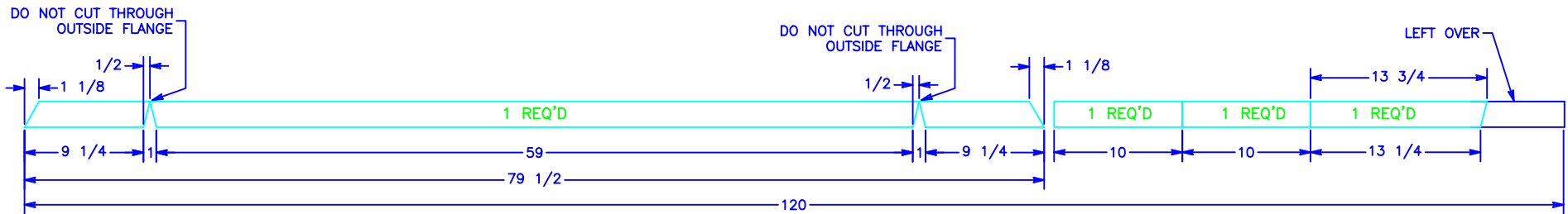
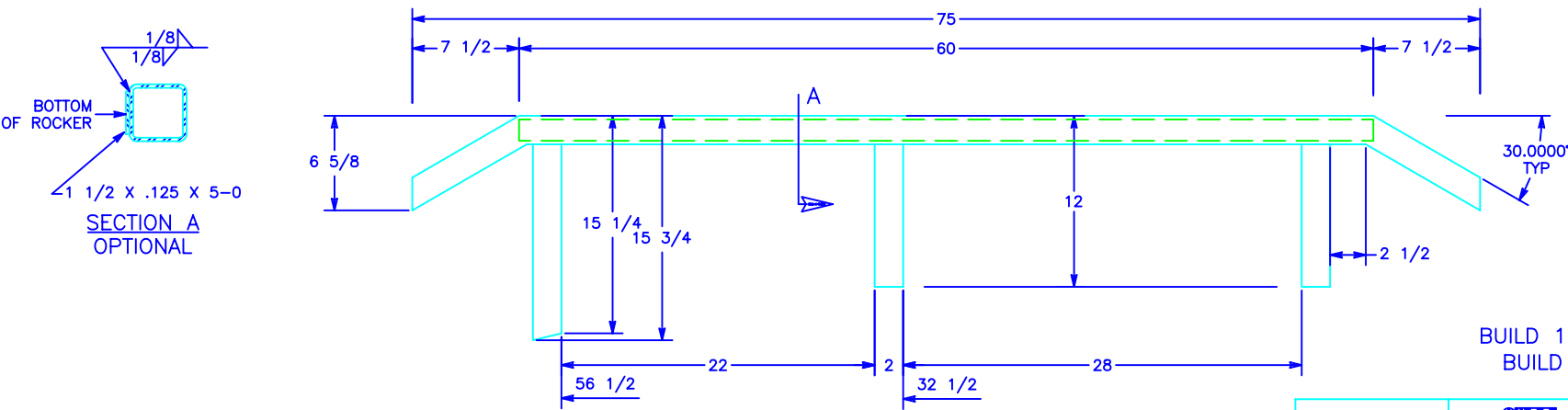


CUTTING OPT #1



CUTTING OPT #2
RECOMMENDED



ASSEMBLY
BUILD 1 (THUS) PASSENGER SIDE
BUILD 1 (O.H.) DRIVERS SIDE

STEEL N Things OFFROAD ACCESSORIES			
TITLE: '84-'88 LONG BED & X-CAB ROCKER GUARDS			
NAME	A THOMPSON	SIZE	DWG. NO.:
DATE	08-13-02	C	02700A
CHECK		INCH	SCALE: N.T.S. SHT 1 OF .



NOTES:

- 0.125 X 1 1/2 MATERIAL IS OPTIONAL
- MAY BE MODIFIED FOR 4 RUNNER AND SHORT BED
- 1" BODY LIFT MAY BE REQUIRED FOR CLEARANCE
-

MATERIAL FOR (1) ROCKER GUARD:
SQ TUBE- 2 X 2 X 0.125 X 10 - 0
FLAT BAR- 0.125 X 1 1/2 X 5 - 0
FLAT BAR- 0.125 X 2 X 2 - 0